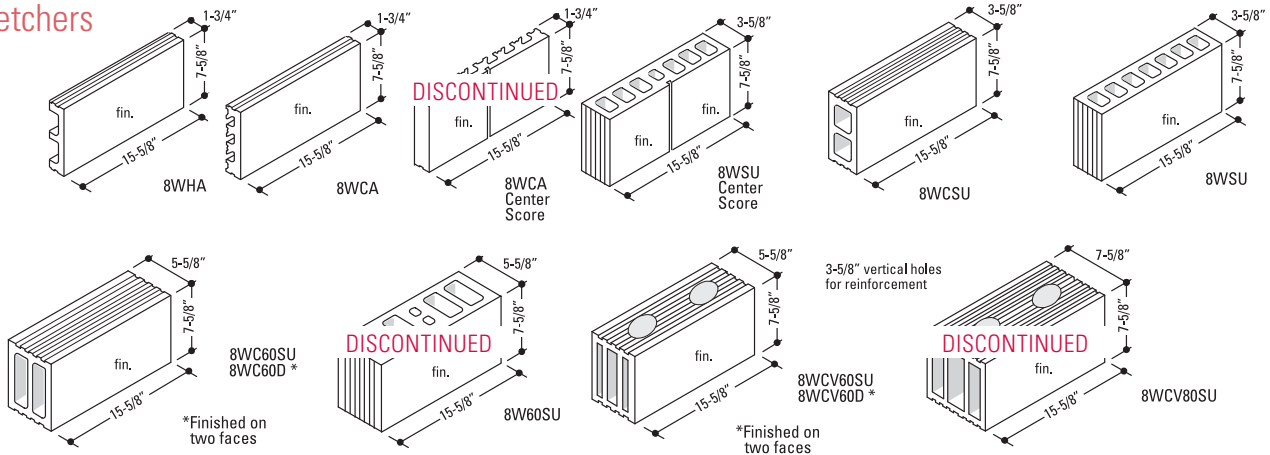
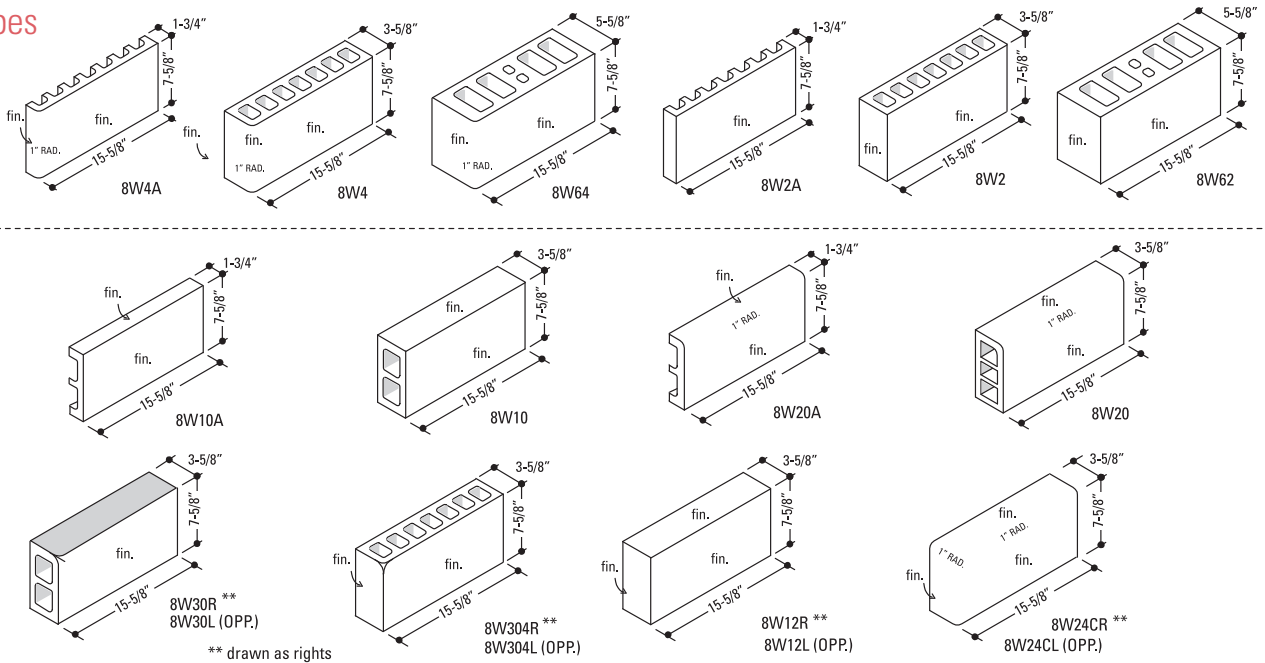


Note: All bullnose edges are 1" radius unless otherwise noted. Coring may vary.

Stretchers



Shapes



Base Units

Non-Recessed units shown, also available as recessed, with 1" radius and 1/2" lip for flooring.

